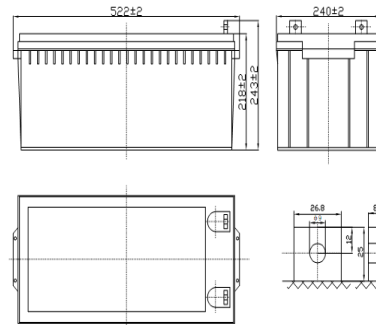


Model: 6-GFM(D)-200 12V200Ah

Sunbright deep cycle battery has good cyclic property, enhanced overcharge endurance and overdischarge recovery property. The battery uses high purity raw material: ensure low self discharge rate; also it applied oxygen recombination technology: maintenance-free. Mainly applications: solar storage battery system, solar and wind powered systems, communication system, uninterruptible power supplies, electric vehicles etc.

Specificatii

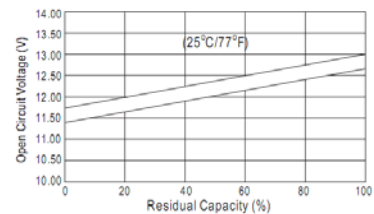
Tensiune Nominala	12V	
Capacitate (10HR,25°C)	200Ah	
Durata de viata	8-10 ani	
Dimensiuni	Lungime	522mm
	Latime	240mm
	Inaltime	218mm
	Inaltime Totala	243mm
Greutate	60kg	



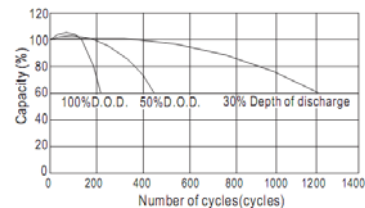
Caracteristici

Capacitate 25°C (77°F) la 1.70V/Celula	La 20 ore	209Ah
	La 10 ore	200Ah
	La 5 ore	185Ah
	La 1 ora	110Ah
Rezistenta interna (complet incarcata 25C)	3.5mΩ	
Autodescarcare (la 25 C) :	in medie 3% din capacitate/luna	
Temperatura de descarcare	-20~60°C	
Temperatura de incarcare	-10~60°C	
Temperatura de stocare	-20~60°C	
Tensiunea de incarcare in regim ciclic (la 25 C)	14.4~14.9V	
Curentul maxim de incarcare (la 25°C)	60A	
Compensarea termica	-30mV/°C	
Tensiunea de incarcare in regim stationar (la 25C)	13.6-13.8V	
Compensarea termica (la 25°C)	-20mV/°C	

The Relationship for Open Circuit Voltage and Residual Capacity (25°C)



Cycle Life(25°C)



Curent de descarcare constant A (la 25 C)

End Point Vol./Cell	5MIN	10MIN	15MIN	30MIN	1H	3H	5H	10H	20H
1.60V	618.1	488.6	363.1	222.4	124.4	58.1	38.6	21	11
1.65V	563	470.2	353.9	214.2	119.3	56.1	37.5	20.8	10.8
1.70V	535.5	453.9	340.7	208.1	115.3	54.3	36.9	20.6	10.7
1.75V	515.1	441.7	322.3	202	112.2	52	36.3	20.5	10.6
1.80V	504.9	430.4	271.3	188.7	109.1	51	35.7	20.4	10.5

Energia constanta de descarcare W (la 25 C)

End Point Vol./Cell	5MIN	10MIN	15MIN	30MIN	45MIN	1H	2H	3H	5H
1.60V	1055	832	619	398	291.1	227.7	137.6	107.9	72.3
1.65V	1007	796	598	386	283.1	222.8	135.6	105.9	71.3
1.70V	950	740	580	378	276.2	218.8	132.7	104	70.5
1.75V	909	700	572	368	271.3	214.8	128.7	100	69.5
1.80V	889	666	548	360	267.3	212.9	125.7	97	68.6



Sunbright Power Co.,Ltd.

